

**TECHNICAL SPECIFICATIONS: ASEPT.2X**  
**MOBILE UVC STERILIZATION FOR SURFACES**

**Description**

The ASEPT.2X system from SANUVOX suggests using two units simultaneously to promptly sterilize an infected patient or surgical room from all angles, minimizing the problematic shadow areas left by the conventional single unit UV sterilizers. The ASEPT.2X units used in pairs simultaneously will sterilize up to 99.9999% of a 22' x 22' room (7mx7m) in 10 minutes. Shorter cycle of disinfection (5) minutes will apply for smaller room dimensions.

**Electrical**

- Power 120-240V AC, 50-60Hz, 7.5A per tower
- Power consumption 820W (830VA)
- Unit in standby 12W, power factor 0.6

**Per unit**

- Structural casing made of grade 316 stainless steel and anodized aluminum
- Size: 64.5 in. (164.5cm) H, 28 in. (71.2cm) W, weight 100 lbs. (45.5kg) per unit
- UVC lamps (8): T6 quartz 40 in (101.6 cm) Teflon encapsulated (#LMPHGS400TF)
- Ballasts (8): high intensity, multi voltage 120/277V cUL, CE (#BST120/277SHS)
- Medical type casters: four (4) self-lock, multi-directional
- Circuit breaker : 15 Amp
- Motion detectors (PIR) : four (4) per unit, covering 360°
- Stop/Start buttons : ceramic, backlit

**Electronics components**

- PLC industrial controller – high performance automation
- Wi-Fi, 3 antennas, WEB server reachable through any smart device or laptop
- Memory card 256MB
- Data logger: uploading through HTML or FTP link

**Ambient conditions**

- Ambient temperature : 10°C to 40°C (operation/storage/transport)
- Degree of protection : IPX0

**Software**

- User-friendly WEB interface (user/administrator), upgradable and customizable
- On board downloadable instructions and video

**Warranty**

- Ballasts: 5 yrs., lamps: 1 yr., electronic: 1 yr.

**Certification**

- CSA field inspected (America), CE (Europe)

**Accessories included**

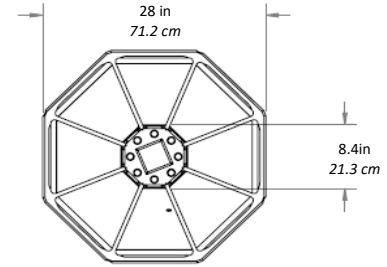
- Platinum & Gold unit only: Android 7 in. tablet, already set up
- Caution floor sign/coupler to move the unit together, door caution panel (2)

**Option**

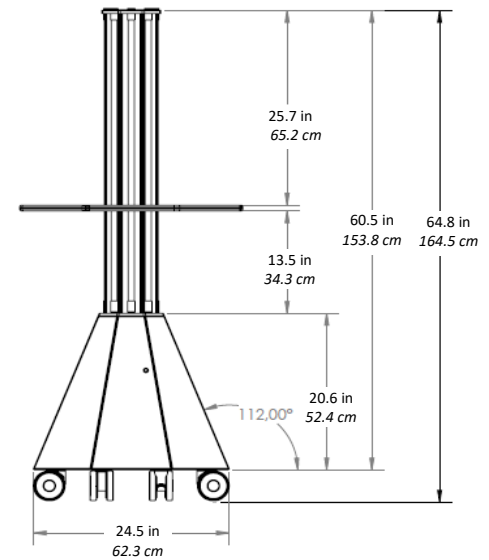
- Protective cover (storage/transport), 100% polyester, washable & fire retardant - ASTM E-84, NFPA 260 & 701, UFAC 1

**Operation details**

The ASEPT.2X units are sold as single units (SILVER & GOLD) but mostly in pairs (PLATINUM): two units complement each other to shorten the time necessary to disinfection. Additionally, the two units can be moved by a single person when using the supplied coupler. In tight spaces, it is possible to use only the primary unit through a simple command on the WEB interface. When started, the two units will light up the lamps in sequence of 4 at the time, lowering to a minimum the amperage draw of the electrical outlet (two units will operate on 20 Amp circuit). The on board data logger registers every single cycle, completed or not, for future retrieval and analysis.



Vue de dessus



MODEL	QTY	COMMENTS	PROJECT:	<b>Drawings for</b> <input type="checkbox"/> Information <input type="checkbox"/> Approval
			SITUATION:	
			ARCHITECT:	
			ENGINEER:	
			DATE	