



Upper Air Germicidal Solutions

American Ultraviolet TB and CM Series in-room air treatment fixtures are designed specifically for upper air irradiation. These trusted fixtures have been successfully used to control the spread of airborne microorganisms in hospitals, prisons, clinics and government buildings since 1960. The fixtures incorporate adjustable louvers that safely direct UVC energy above contact level (7+ feet) with occupants, ensuring TB and CM fixtures are ideal for air disinfection in occupied rooms.

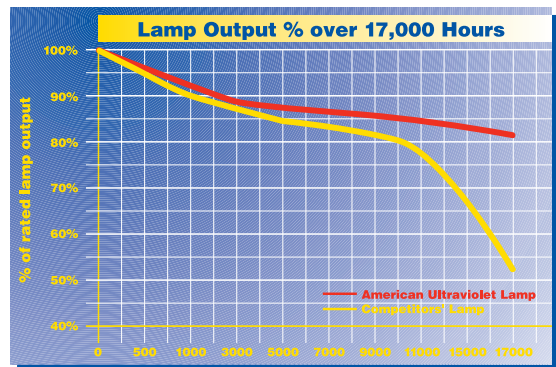
Applications

TB and CM Series single lamp fixtures from American Ultraviolet are used for in-room installation in commercial, industrial, health care and institutional buildings.

TB Series



The TB Series is available in three sizes (providing 100, 200 and 300 square feet of coverage) and operates from 110-277 VAC at 50 or 60 Hz, allowing installation flexibility to accommodate virtually any room or building layout. Multiple fixtures can be used to cover areas larger than 300 square feet. TB Series fixtures are designed for easy access lamp changes by simply unscrewing two large thumb screws on the sides and dropping the hinged louver down for easy lamp access. TB Series lamps are rated for two-year continuous operational life with approximately 20% drop in UVC output at end of lamp life.



CM 15



The CM 15 units are designed to mount in corners of rooms where TB Series units are not desirable. A single CM 15 unit can cover 75-100 square feet, depending on the application. The CM 15 is easily accessed for lamp replacement by simply removing a single fastener on the top of the unit and sliding off the louver. CM 15 lamps are rated for 9,000 hours effective lamp life (approximately 1 year).

Benefits

- Improves Indoor Air Quality (IAQ) by reducing bacteria, viruses and mold that either grow or pass through the air handling systems. Reduces the risk of cold, flu, allergies and other illness associated with air handling systems
- Two-year (17,000 hour) guarantee on lamps with only 20% decrease in output over the two years (9,000 hours on CM 15 lamps)
- Five-year, non-prorated warranty on the ballast
- Continuously cleans upper air in rooms, preventing airborne transmission of bacteria and viruses
- Produces no ozone or other secondary contaminants



American Ultraviolet

Since 1960. It's all we do.

AUV TB SERIES

In-room Upper-air Treatment UVC Germicidal Fixtures

TB SERIES SPECIFICATIONS:

Every TB fixture from American Ultraviolet is manufactured and factory assembled in the U.S.A., and tested prior to shipment. Each assembly consists of housing, reflector, louver, electronic ballast, power cord, on/off pull chain and UVC lamp.

FIXTURE: Housings are constructed of heavy gauge hospital grade stainless steel. Lamp changes can be done without removing the fixture from the mounting. All components are in one integrated assembly to maximize serviceability.

BALLAST: The solid-state electronic ballast (furnished with this series) is a Class P rapid start with a power factor minimum of .95. It is available as a 120, 208, 230, or 277 VAC 50/60 Hz and is designed to maximize photon production in air temperatures of 35 to 175 degrees F. Minimum ballast start temperature is minus 20 degrees F. Ballasts have a RFI - EMI rating as defined by FCC part 18A for industrial / commercial applications in regards to suppression. Ballasts are UL listed.

LAMPS: TB series UVC lamps are T5 tube diameter, and constructed from hard glass tubing for superior UV transmittance. Lamps are "green", containing ≤ 8 mg of mercury (Hg). Lamps shall retain, at minimum, 80% of initial output after 17,000 hours of use and produce no ozone. Electrodes are designed to maximize plasma convection and stability for superior lamp performance.

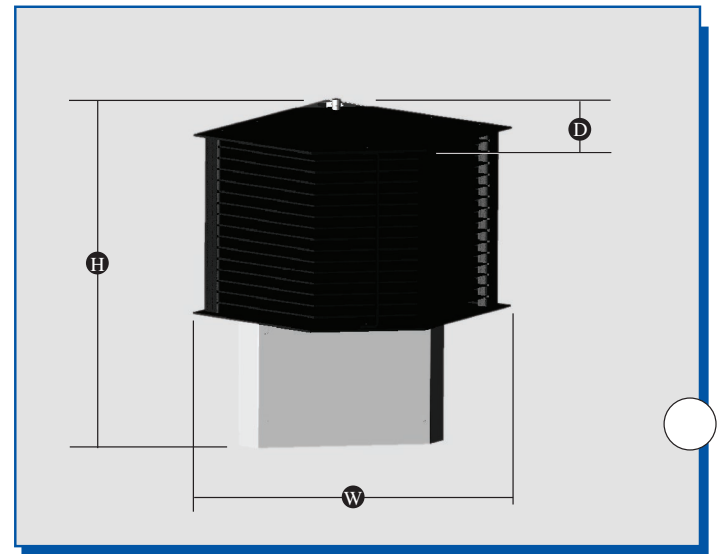
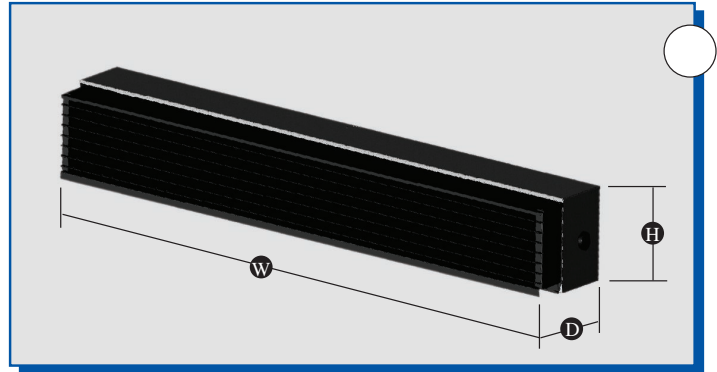
CM 15 SPECIFICATIONS:

Every CM 15 fixture from American Ultraviolet is manufactured and factory assembled in the U.S.A., and tested prior to shipment. Each assembly consists of housing, reflector, louver, power cord, lamp socket and self-ballasted UVC lamp.

FIXTURE: Housings are constructed of powder coated, heavy gauge hospital grade stainless steel. Lamp changes can be done without removing the fixture from the mounting. All components are in one integrated assembly to maximize serviceability.

BALLAST: N/A

LAMPS: CM 15 lamps are self-ballasted, 15watt UVC lamps with a screw-in base.



ORDERING SPECIFICATIONS

Model #	Sq. Ft. Coverage	Electrical	Replacement Lamp	Lamp Life	Air Movement	Lamp Replacement	Dimensions W/H/D
TB-36-W	300	110-277 VAC 50/60Hz	SBL005	17,000 hours	Convection	Every 2 years	37.5/5.2/6.6
TB-24-W	200	110-277 VAC 50/60Hz	SBL325	17,000 hours	Convection	Every 2 years	27.7/5.2/6.6
TB-12-W	100	110-277 VAC 50/60Hz	SBL060	17,000 hours	Convection	Every 2 years	18.5/5.2/6.6
CM 15	75-100	120V/60Hz 220V/50 Hz	GML500 GML 510	12,000 hours	Convection	Yearly	10.8/9.2/9.1

Represented by:



American Ultraviolet

Since 1960. It's all we do.

www.americanultraviolet.com

212 South Mt. Zion Road • Lebanon, IN 46052

(765) 483-9514 • (800) 288-9288

Fax: (765) 483-9525

Prolonged, direct exposure to UVC light can cause temporary skin redness and eye irritation, but does not cause skin cancer or cataracts. American Ultraviolet systems are designed with safety in mind and, when properly installed by a professional contractor, do not allow exposure to UV irradiation and allow for safe operation and maintenance.